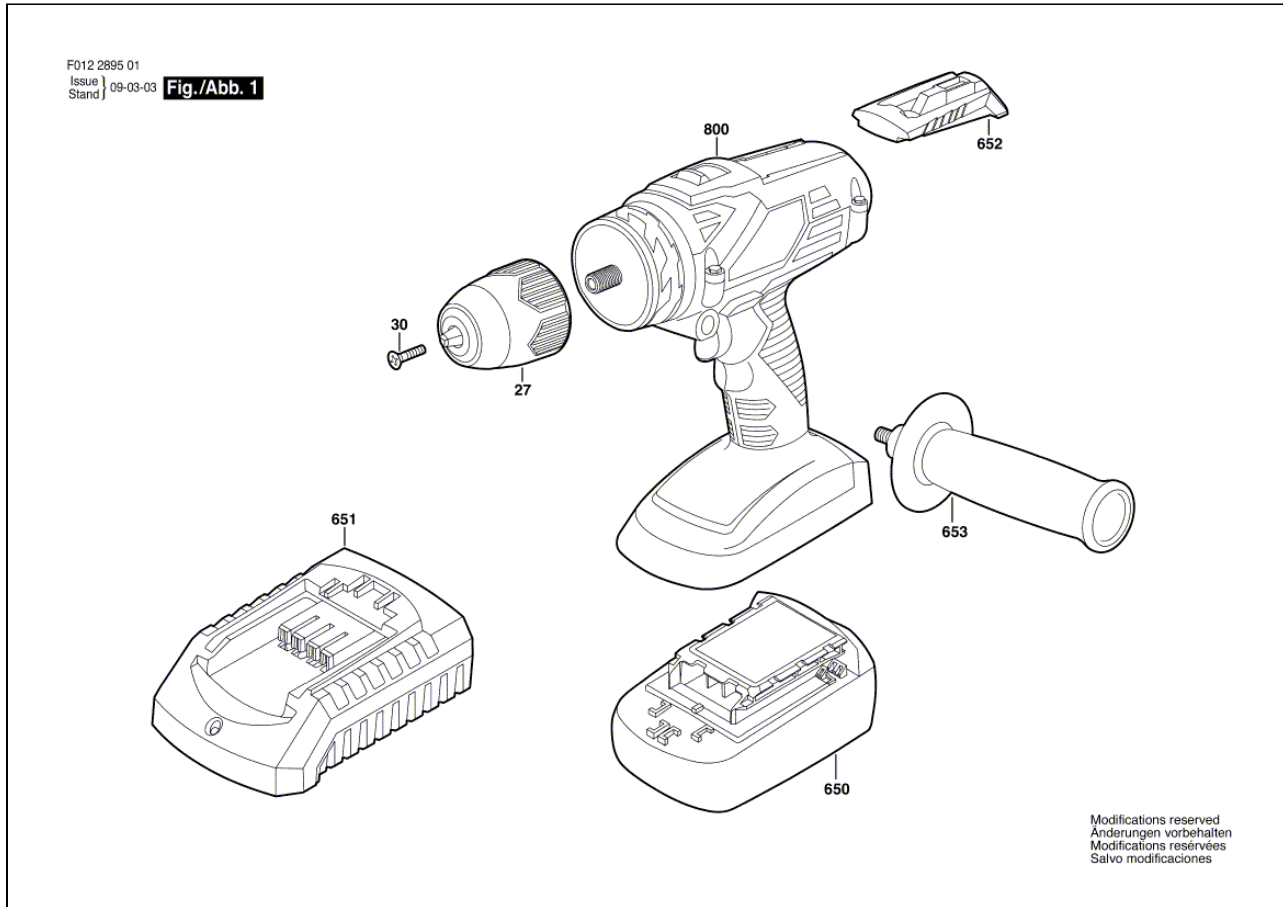


# Cordless Drill Driver

## F 012 289 503 2895

09.03.2011 18:20:48



Item	Quantity	Order No.	Designation	Price group	Page
27	1	1 619 X02 950	Keyless Chuck	22	1
30	1	1 619 X01 531	Torx Oval-Head Screw	11	1
650	1	1 619 X03 496	Battery Pack / USA 120/18V	43	1
651	1	1 619 X03 502	Charger / 18V,1,3Ah,LI	36	1
652	1	1 619 X01 441	Index	15	1
653	1	1 619 X01 440	Auxiliary Handle	15	1
800	1	1 619 X03 437	Cordless Drill Driver	40	1