

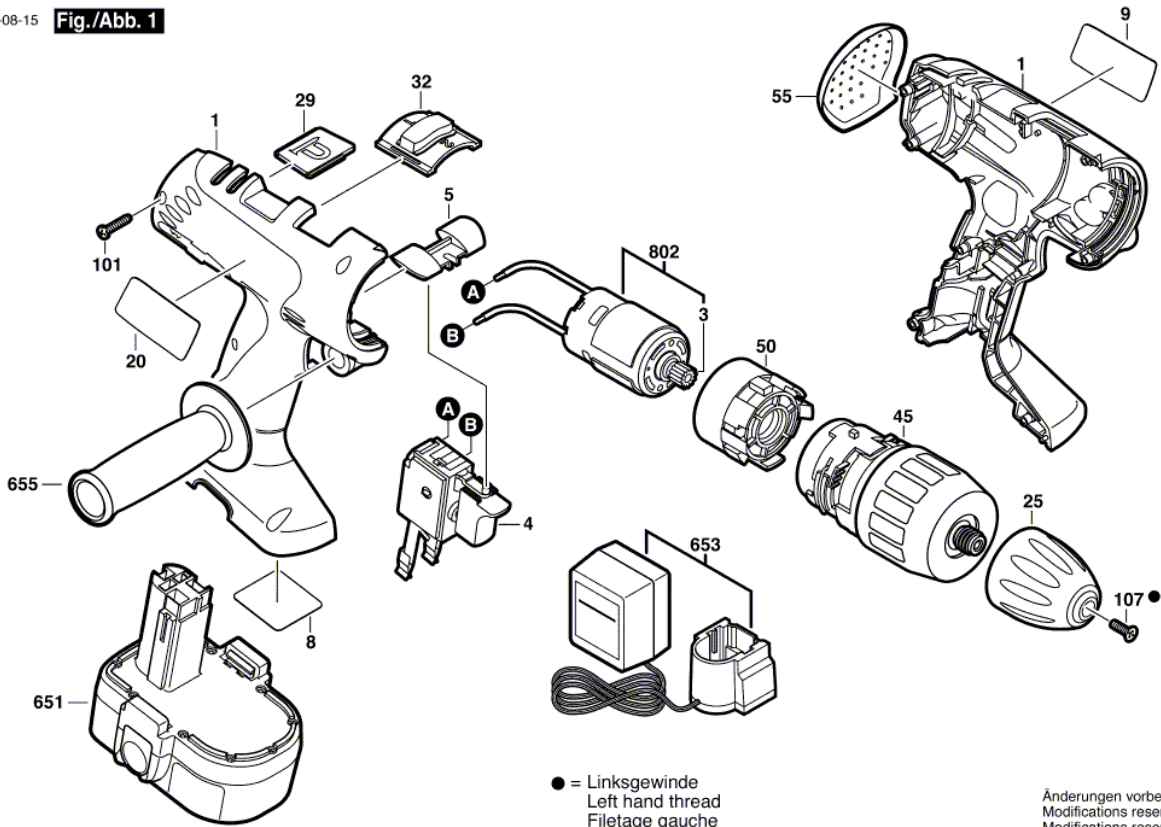


F 012 258 500 CORDLESS ROTARY HAMMER 2585

21.09.2006
16:42:40

F 012 258 500

Stand Issue } 01-08-15 **Fig./Abb. 1**



● = Linksgewinde
Left hand thread
Filetage gauche
Rosca izquierda

Änderungen vorbehalten
Modifications reserved
Modificacions reserves
Salvo modificaciones

Item	Quantity	Order No.	Designation	Price group	Page
1	1	2 610 912 863	HOUSING SECTION		1
3	1	2 606 316 181	PINION		1
4	1	2 607 200 353	ON-OFF SWITCH		1
5	1	2 601 099 116	ADJUSTING SLIDE		1
8	1	2 610 913 252	NAMEPLATE		1
9	1	2 610 913 250	LABEL		1
20	1	2 610 913 251	WARNING LABEL		1
25	1	2 610 913 340	CHUCK		1
29	1	2 600 290 043	MAGNET DISK		1
32	1	2 601 099 098	ADJUSTING SLIDE		1
45	1	2 606 200 152	EPICYCLOIDAL GEAR TRAIN		1
50	1	2 605 719 027	INTERMEDIATE FLANGE		1
55	1	2 608 040 198	HANDLE COVER		1
101	7	2 603 490 018	TORX OVAL-HEAD SCREW		1
107	1	2 603 421 229	COUNTERSUNK-HEAD SCREW \ M 6x23		1
651	1	2 607 335 328	ACCUMULATOR BATTERY \ 14,4V,1,25Ah,NiCd		1
653	1	2 607 224 631	CHARGER \ USA/CAN 120/14,4V, 5h		1
655	1	2 602 025 067	AUXILIARY HANDLE \ M10, Ø 32,5x105		1
802	1	2 610 913 393	BATTERY-OPERATED DRILL		1

