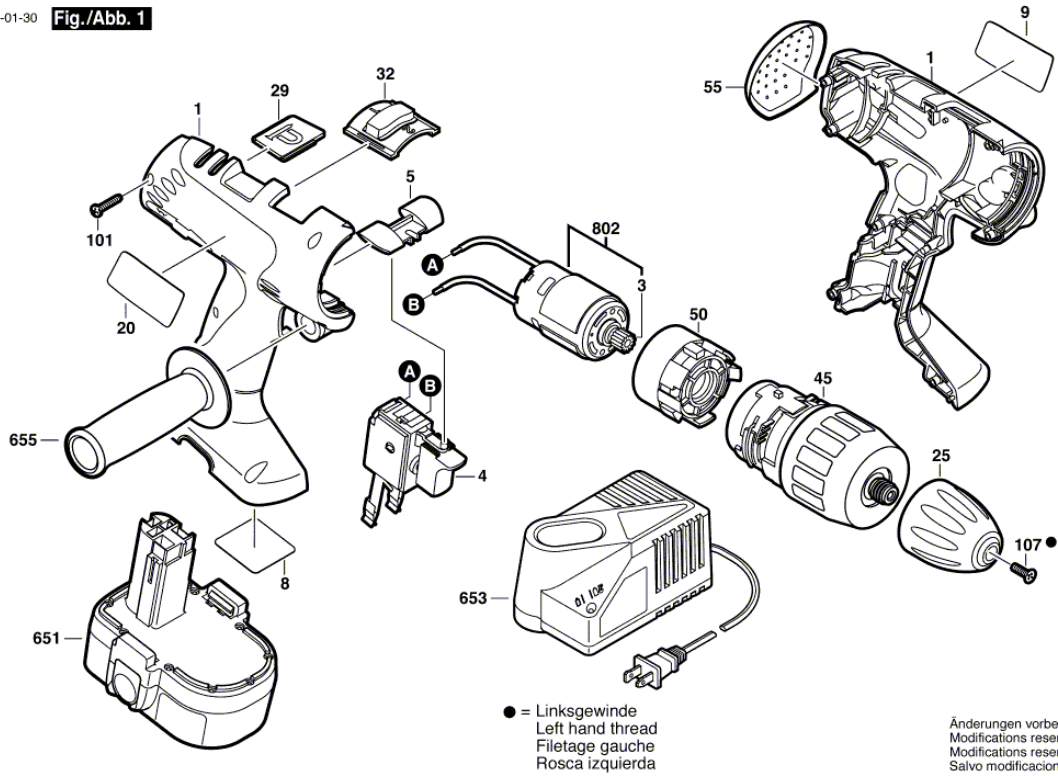


SKIL**F 012 288 500
CORDLESS ROTARY HAMMER 2885**21.09.2006
16:46:20

F 012 288 500

Stand Issue } 02-01-30 **Fig./Abb. 1**

Item	Quantity	Order No.	Designation	Price group	Page
1	1	2 610 912 979	HOUSING SECTION		1
3	1	2 606 316 188	PINION		1
4	1	2 607 200 431	ON-OFF SWITCH		1
5	1	2 601 099 116	ADJUSTING SLIDE		1
8	1	2 610 913 255	NAMEPLATE		1
9	1	2 610 913 253	LABEL		1
20	1	2 610 913 254	LABEL		1
25	1	2 610 913 340	CHUCK		1
29	1	2 600 290 043	MAGNET DISK		1
32	1	2 601 099 098	ADJUSTING SLIDE		1
45	1	2 606 200 152	EPICYCLOIDAL GEAR TRAIN		1
50	1	2 605 719 027	INTERMEDIATE FLANGE		1
55	1	2 608 040 198	HANDLE COVER		1
101	7	2 603 490 018	TORX OVAL-HEAD SCREW		1
107	1	2 603 421 229	COUNTERSUNK-HEAD SCREW \ M 6x23		1
651	1	2 607 335 330	ACCUMULATOR BATTERY \ 18V,1,0Ah,NiCd		1
653	1	2 607 224 861	CHARGER \ USA 120/7,2-18V		1
655	1	2 602 025 067	AUXILIARY HANDLE \ M10, Ø 32,5x105		1
802	1	2 610 913 394	DC MOTOR		1

