

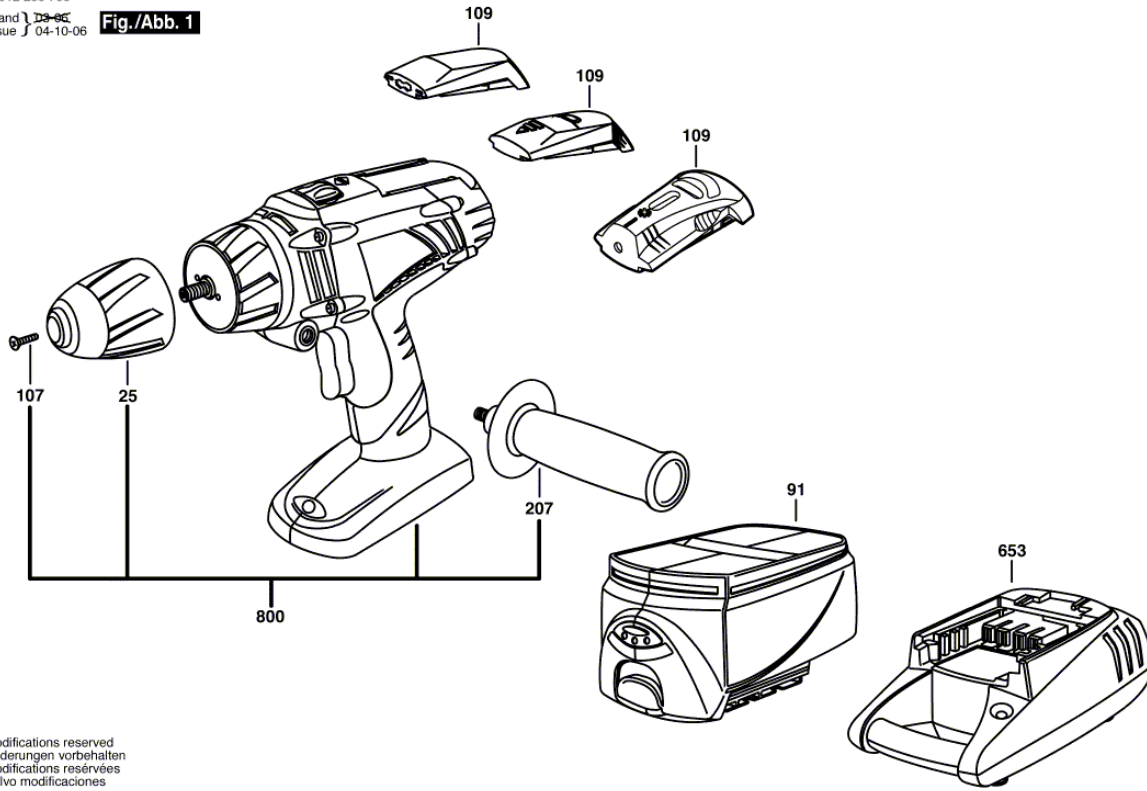


F 012 288 708 CORDLESS SCREW DRIVER 2887 B4

20.09.2006
23:00:15

F 012 288 705
Stand 03-06
Issue J 04-10-06

Fig./Abb. 1



Modifications reserved
Änderungen vorbehalten
Modifications réservées
Salvo modificaciones

Item	Quantity	Order No.	Designation	Price group	Page
25	1	2 610 920 203	CHUCK		1
91	1	2 607 335 628	ACCUMULATOR BATTERY \ 18V, 1,2Ah		1
107	1	2 603 421 228	COUNTERSUNK-HEAD SCREW \ M 5x20 MM		1
109	1	2 609 100 190	SUPPORT		1
109	1	2 610 916 434	METAL DETECTOR		1
109	1	2 610 924 445	LASER LEVEL		1
207	1	2 609 100 228	HANDLE		1
653	1	2 607 224 935	FAST CHARGER \ USA 120V, 1h		1
800	1	2 610 920 584	CORDLESS SCREW DRIVER \ 18V		1

