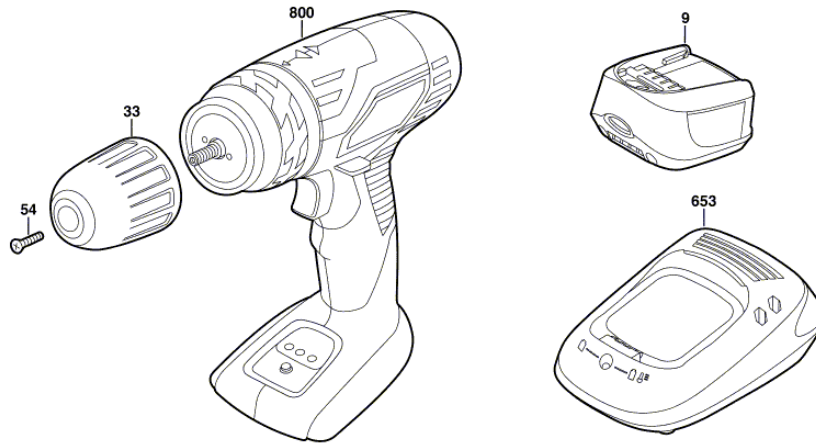


**CORDLESS DRILL DRIVER**  
**F 012 281 500 2815**



19.05.2008 21:09:25

F 012 251 000  
 Issue | 07-08-21 **Fig./Abb. 1**  
 Stand



Änderungen vorbehalten  
 Modifications reserved  
 Modifications reserves  
 Salvo modificaciones

Item	Quantity	Order No.	Designation	Price group	Page
9	1	2 607 336 113	SLIDE-IN ACCU PACKAGE / 18V LI-Ion	41	1
33	1	1 619 X01 948	KEYLESS CHUCK	19	1
54	1	1 619 X02 515	COUNTERSUNK-HEAD SCREW	10	1
653	1	2 607 225 279	CHARGER / USA 120/14,4-18V,3h	32	1
800	1	1 619 X02 529	DRIVE ASSEMBLY	40	1